



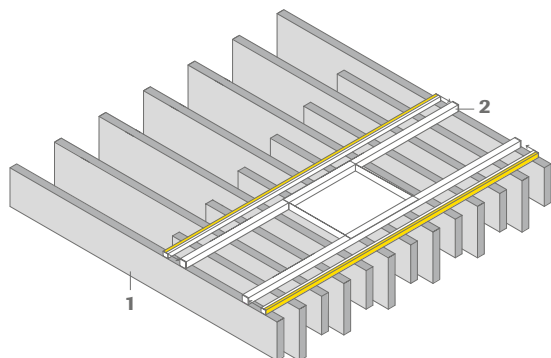
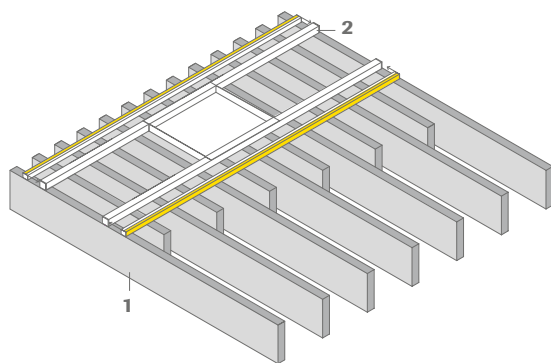
Out in the open

Square

The floating "Square" is constructed using 13 vertical baffles in two depths and six lengths suspended together in a single block.

"Square" can be used to optimize acoustics in spaces or projects where thermal mass is an integral part of the building design or where the client requires a different visual effect. By combining several "Squares" or including the "Square" LED Linear light package a variety of different visual effects can be created.

Square



1 Square – baffle tile package

All edges

3

Length	Height	Thickness	Units/pack	α_w /NRC	Part no.	Del. Cat.
1200 mm	150 mm	30 mm	7	0.65	00069106	D
830 mm	200 mm	30 mm	1			
780 mm	200 mm	30 mm	1			
730 mm	200 mm	30 mm	1			
675 mm	200 mm	30 mm	1			
620 mm	200 mm	30 mm	1			
570 mm	200 mm	30 mm	1			

Package content: 7 pieces, length: 1200 mm, 1 piece each of the shorter length; total number of baffles per package: 13 pieces, Sinfonia tile surface

2 Square – construction package

Product/component description	Units/pack	Part no.	Del. Cat.
Square profile 25 x 25 x 2.0 mm, length: approx. 1220 mm, colour: white, fully assembled with connector bar	2 pieces	00079587	D
Connector bar 305 x 200 x 1.0 mm, white	1 piece		
Spacer sleeve M6 x 25 mm, white, for direct installation	4 pieces		
Fixing plug, Ø 11.6 mm, white, for square profile keyholes	26 pieces		
Threaded sleeve M6 x 30 mm, for suspended installation	4 pieces		
M6 x 15 mm, zinc galvanized, for suspended installation	4 pieces		

See brochure no. 1020 e Cloud and Square