



METAL BAFFLES

Typically used in acoustically- challenged spaces, in airports, rail terminals, semi-exposed soffit buildings, offices, retail, leisure centres, etc.

- Modern linear appearance
- Custom perforations, dimensions and configurations available as part of the METAL V-P 500 & METAL V-K 500 Baffle systems
- Excellent acoustic performance: Reduce noise levels, increase speech intelligibility, reduce reverberation time
- Install individually or in groups (METAL V-P 500 system)
- Robust, engineered solution
- Quick and easy to install
- High light reflectance

TRANSPORT - Tomalchevo Airport (RU)
METAL Baffles



Inspiring Great Spaces®


Armstrong[®]
CEILING SOLUTIONS

METAL BAFFLES


THICKNESS (mm)	30	
MODULES (mm)	1800 x 300. CS 5128M	Available in 2 pieces / carton.
SUSPENSION SYSTEMS	Metal Baffle Hanging Kit. CS 5136 ¹	




¹ Metal Baffle Hanging Kit not included. Please order accessory kit based on installation configuration. For grouping option, see METAL V-P 500 system.

SUSTAINABILITY	 80	 A	 E1
-----------------------	---	--	--

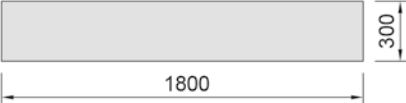
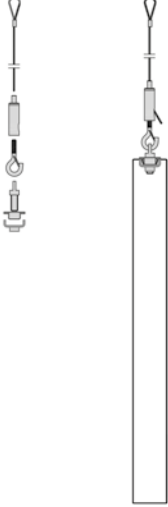
ACOUSTICS	 EN ISO 354 & EN ISO 11654	1/3 Octave band value (α_s)						
		α_w	Class	NRC	125 Hz	250 Hz	500 Hz	1000 Hz
• METAL Baffles	0.55(H)	D	0.60	0.16	0.29	0.53	0.73	0.75

Sabines data for individually hung Baffles available upon request.

FIRE REACTION		EEA Euroclass A2-s1,d0 ² EN 13501-1	² With standard colour and acoustic infill.
----------------------	--	---	--

OTHER PERFORMANCES & FEATURES	 90 % RH	 5.7 kg/pc	 30YEAR system guarantee
--	---	---	---

CUSTOM OPTIONS	 Colours	For further custom baffle options please see METAL V-P 500 / METAL V-K 500 systems.
-----------------------	--	---

INSTALLATION OPTIONS	Standard Module: 300 x 1800 mm  
-----------------------------	---