



PLAIN

The smooth and white surface of PLAIN meets today's trends for cleaner finishes whilst maximising light reflectance.

Key features

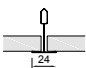
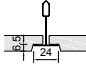
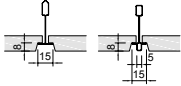
- High light reflectance: 87%
- Energy savings due to high level of light reflectance
- Good sound attenuation

Application areas


Ideal for retail environments.

RETAIL - Rostock (DE)
PLAIN Board



EDGE DETAIL	BOARD	TEGULAR	MICROLOOK
			
THICKNESS (mm)	15	15	15
MODULES (mm)	600 x 600 9587M 625 x 625 9587D 1200 x 600 9588M 1250 x 625 9588D	600 x 600 9589M 625 x 625 9589D	600 x 600 9590M 625 x 625 9590D
SUSPENSION SYSTEMS	Prelude 24 XL ² / TL ² Prelude 24 Sixty ² XL ² / TL ²	Prelude 24 XL ² / TL ² Prelude 24 Sixty ² XL ² / TL ²	Prelude 15 TL / XL ² Interlude HRC XL ²

COLOURS



Global White

SUSTAINABILITY



33-40






A+ / A¹




E1

¹ Depends on thickness, edge detail and size of tile.

ACOUSTICS




EN ISO 10848-2
& EN ISO 717-1



EN ISO 354
& EN ISO 11654

	Hz α_p									
	D_{ntw}	α_w	Class	NRC	125	250	500	1000	2000	4000
Board, Tegular, MicroLook	35 dB	0.20(L)	E	0.20	0.30	0.25	0.15	0.15	0.25	0.30


FIRE REACTION




EEA Euroclass A2-s1, d0
EN 13501-1

RUS KM1 (G1, V1, D1, T1)
FZ 123


OTHER PERFORMANCES & FEATURES



87%



95% RH




30YEAR
system guarantee

BIM
READY



λ = 0.060 W/m K
EN 12667 & ISO 8301



≈ 3.5 kg/m²