

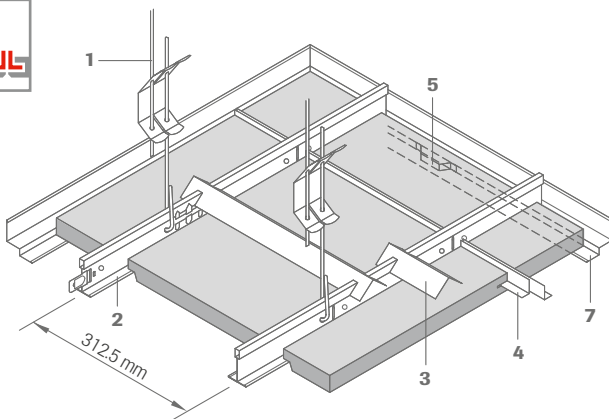


SEMI-CONCEALED,
DEMOUNTABLE

OWAlifetime collection

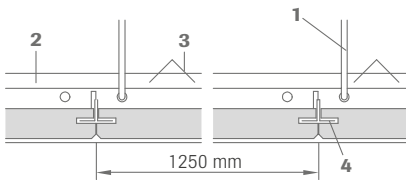
OWA

System S 2a | semi-concealed, demountable

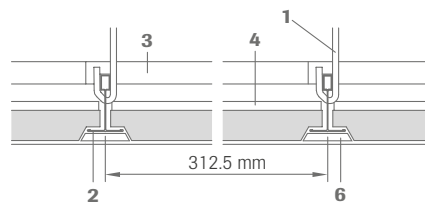


- 1 Hanger no. 12/.../...
- 2 Main tee no. 45
- 3 Stabilizer bar no. 43, for 312.5 mm centres
- 4 L profile no. 24
- 5 Wall spring clip no. 52
- 6 Contura block no. 42/24
- 7 Shadow wall angle no. 50/15G

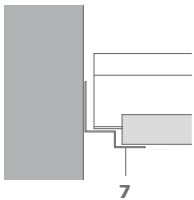
Section:



Cross-section:



Wall perimeter:



Other wall connection options and installation details can be found in OWA-Installation Guide no. 801 E.

Technical data | mineral tiles

Dimensions

Width: 312.5 mm | length: 1250 mm

Other sizes available on request. Subject to minimum quantities and surcharges. See OWAlifetime collection price list.

Edge details

Long edge



Short edge



Thickness

Approx. 20 mm (OWAcoustic® premium)

Reaction to fire

A2-s1,d0 in accordance with EN 13501-1

Resistance to fire

On request

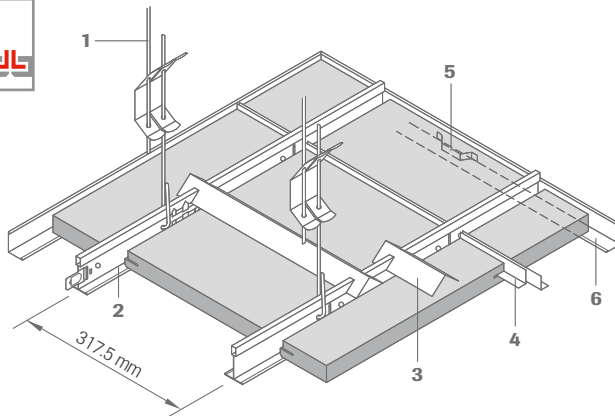
Metal suspensions

All metal components listed are galvanized steel or white coated galvanized steel respectively. For further details and colours please consult OWAlifetime collection price list.

Suspension depth

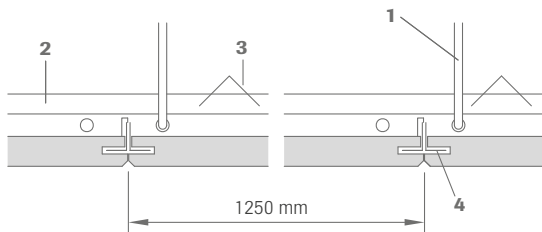
75 - 100 mm (depending on the existing structural ceiling) for ease of panel removal 120 mm is recommended

System S 2b | semi-concealed, demountable

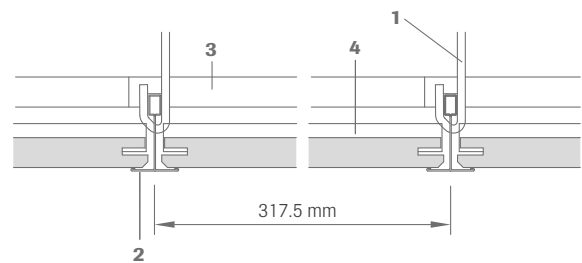


- 1 Hanger no. 12/.../...
- 2 Main tee no. 45
- 3 Stabilizer bar no. 43, for 317.5 mm centres
- 4 L profile no. 24
- 5 Wall spring clip no. 52
- 6 Wall angle no. 50G

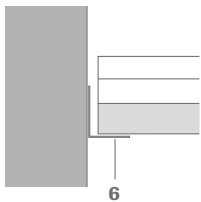
Section:



Cross-section:



Wall perimeter:



Other wall connection options and installation details can be found in OWA-Installation Guide no. 801 E.

Technical data | mineral tiles

Dimensions

Width: 317.5 mm | length: 1250 mm

Other sizes available on request. Subject to minimum quantities and surcharges. See OWAlifetime collection price list.

Edge details



Thickness

Approx. 15 mm und 20 mm (OWAcoustic® premium)

Reaction to fire

A2-s1,d0 in accordance with EN 13501-1

Resistance to fire

On request

Metal suspensions

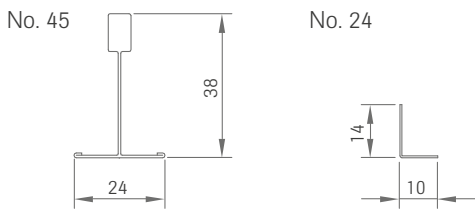
All metal components listed are galvanized steel or white coated galvanized steel respectively. For further details and colours please consult OWAlifetime collection price list.

Suspension depth

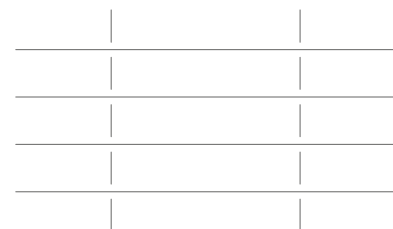
75 - 100 mm (depending on the existing structural ceiling) for ease of panel removal 120 mm is recommended

System S 2a/b | semi-concealed, demountable

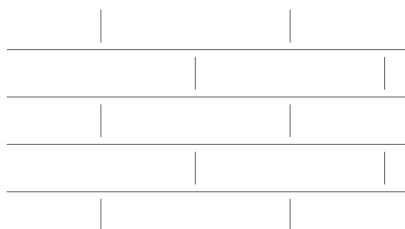
Section dimensions:



Installation examples:



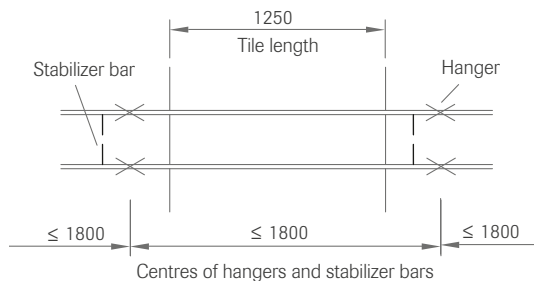
with aligned joints



with staggered joints

Demountability:

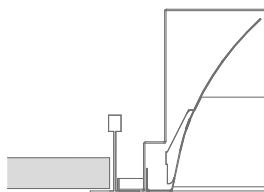
The ease of tile removal from the suspension grid is dependent on the positioning of the hangers and stabilizer bars which should be located in accordance with the drawing. The "free tile" is removed first and then the remaining tiles can be slid clear of the obstructions and removed. The preparation of a detailed installation plan is recommended.



Light fixtures:

OWA can supply compatible light fixtures for this system.

For details of performance, installation and fire resistance please see OWA-brochure no. 9630 e and OWA-Installation Guide no. 801 E.





Material requirements per m² (approximations):

No.	Description	System S 2a	System S 2b
12/.../...	Hanger	2.0 pcs	2.0 pcs
45	Main tee	3.2 m	3.2 m
43	Stabilizer bar for module 312.5 mm	2.0 pcs	-
43	Stabilizer bar for module 317.5 mm	-	2.0 pcs
24	L profile, 307 mm	5.0 pcs	5.0 pcs
50G	Wall angle	-	depending on room size
50/15G	Shadow wall angle	depending on room size	-
52	Wall spring clip	depending on room size	depending on room size
42/24	Contura block	depending on room size	-

Weight per m²:

	System S 2a	System S 2b
Suspension system approx.	1.48 kg/m ²	1.48 kg/m ²
Tiles 15 mm approx.	-	4.5 kg/m ²
Tiles 20 mm approx.	6.0 kg/m ²	-

For special situations, for example addition of wool overlays, light fixtures, cold roofs, high humidity and open areas etc., see OWA-Installation Guide no. 801 E.

System description:

Quality statement:

OWAacoustic mineral panels are free from harmful materials such as asbestos and formaldehyde. A statement from the German institute for Building Technology is available. The mineral wool used in these panels is biodegradable. The criterions of the zero-ranking as a carcinogenic material in the chemical prohibition ordinance (§ 1 appendix) section 23 bio-persistent fibres are complied with and therefore carries the "RAL-Seal of mineral wool" guarantees.

Mineral tiles according to EN 13964 and DIN 18177:

Air Permeability	Class PM 1
Formaldehyde	FH Class 1
TVOC	Class 1

Semi-concealed OWAconstruct® System S 2a

Installation should be carried out in accordance with the information contained in system leaflet S 2a and OWA-Installation Guide no. 801 E. All components are CE labelled.

Component list:

OWAconstruct adjustable hanger no. 12/.../...
OWAconstruct main tee no. 45
OWAconstruct stabilizer bar no. 43, 312.5 mm
OWAconstruct L profile no. 24, 307 mm
OWAconstruct wall spring clip no. 52
OWAconstruct shadow wall angle no. 50/15G
OWAconstruct Contura block no. 42/24

Semi-concealed OWAconstruct® System S 2b

Installation should be carried out in accordance with the information contained in system leaflet S 2b and OWA-Installation Guide no. 801 E. All components are CE labelled.

Component list:

OWAconstruct adjustable hanger no. 12/.../...
OWAconstruct main tee no. 45
OWAconstruct stabilizer bar no. 43, 317.5 mm
OWAconstruct L profile no. 24, 307 mm
OWAconstruct wall spring clip no. 52
OWAconstruct wall angle no. 50G

Product Warranties

The information provided in this leaflet is based on the standards and data available at the time of publication. Any performance, warranties or guarantees provided, expressed or implied, are subject to the exclusive use of OWA components and the installation of those components in accordance with our recommendations. Failure to adhere to these conditions will result in the invalidation of any performance claims, warranties or guarantees and rejection of any liability. OWA reserves the right to make any technical improvements to the products, systems or services without prior notice. **All goods and services are supplied in accordance with our current Terms and Conditions of Sale.** Errors excepted!



Odenwald Faserplattenwerk GmbH

Dr.-F.-A.-Freundt-Straße 3 | 63916 Amorbach
tel +49 93 73.2 01-0 | info@owa.de
www.owa-ceilings.com