



SAHARA MAX

SAHARA MAX with its microperforated, finely sanded surface, offers improved levels of sound absorption and sound attenuation, making it a great choice for classrooms and other areas requiring Class C sound absorption.

Key features

- High sag resistance
- Balanced acoustic solution with sound absorption of 0.65 α_w and sound attenuation of 35 dB

Application areas

Ideal for classrooms and general teaching conditions.

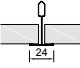
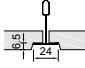

EDUCATION - Las tablas (ES)
SAHARA MAX Board



Inspiring Great Spaces®

Armstrong[®]
CEILING SOLUTIONS

SAHARA MAX

EDGE DETAIL	BOARD	TEGULAR
		
THICKNESS (mm)	18	18
MODULES (mm)	600 x 6002103M	600 x 600 2260M
SUSPENSION SYSTEMS	Prelude 24 XL ² / TL ² Prelude 24 Sixty ² XL ² / TL ²	Prelude 24 XL ² / TL ² Prelude 24 Sixty ² XL ² / TL ²
COLOURS	 Global White	

SUSTAINABILITY



42



A+



E1

ACOUSTICS



EN ISO 10848-2
& EN ISO 717-1



EN ISO 140-3
& EN ISO 717-1



EN ISO 354
& EN ISO 11654

Hz α_p

	D _{nfw}	R _w	α_w	Class	NRC	125	250	500	1000	2000	4000
Board, Tegular	35 dB	17 dB	0.65	C	0.65	0.50	0.55	0.75	0.75	0.70	0.45

FIRE REACTION



EEA Euroclass A2-s1, d0

EN 13501-1

OTHER PERFORMANCES & FEATURES



84%



95% RH



30 YEAR
system
guarantee



EN 12667
& ISO 8301

$\lambda = 0.060$ W/m K



4.3 kg/m²

