

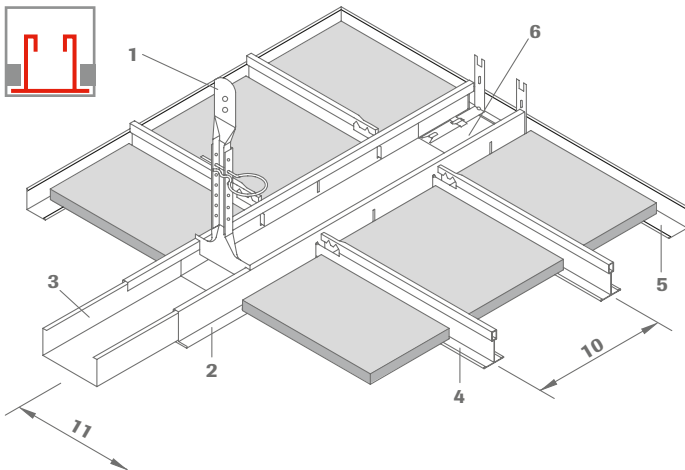


Bandura, demountable

OWAlifetime collection

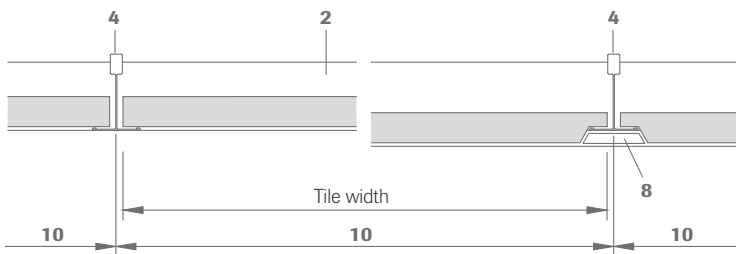
OWA

System S 18d | Bandura, demountable



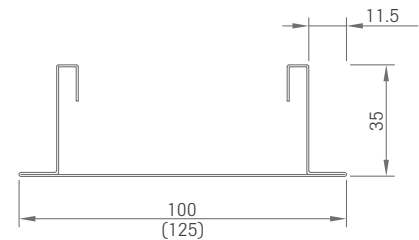
- 1 Nonius hanger no. 79/..., Nonius hanger extension no. 16/... and safety pin no. 76
- 2 Bandrafter profile no. 80/..., slotted on both sides
- 3 Connector no. 82/...G
- 4 Cross tee no. 47/4S
- 5 Wall angle no. 51/25 (edge 3) or no. 50/22 (edge 6)
- 6 Wall anchor no. 75/...G
- 7 Shadow wall angle no. 50/15G or no. 50/22 (edge 6)
- 8 Contura block no. 42/24 (edge 6) or no. 42/100 (edge 6)
- 9 Contura block no. 42/100 or no. 42/125 (edge 6)
- 10 Cross tee module size
- 11 Bandrafter module size

Cross-section:

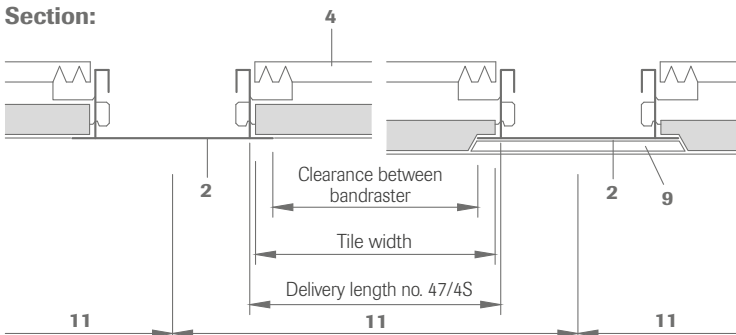


Section dimensions:

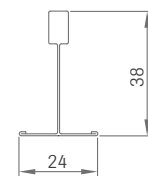
No. 80/100 or 80/125



Section:



No. 47/4S



Technical data | mineral tiles

Dimensions

Width: 300 mm, 312.5 mm, 400 mm | length: 1200 mm, 1250 mm, 2000* mm, 2500* mm
1200 x 600 mm | 1250 x 625 mm

Other sizes available on request. Subject to minimum quantities and surcharges. See OWAlifetime collection price list.
* only conditionally demountable

Edge details



Thickness

Approx. 15 mm and 20 mm (OWAcoustic® premium)

Reaction to fire

A2-s1,d0 in accordance with EN 13501-1

Resistance to fire

See brochure nr. 9500 eu e

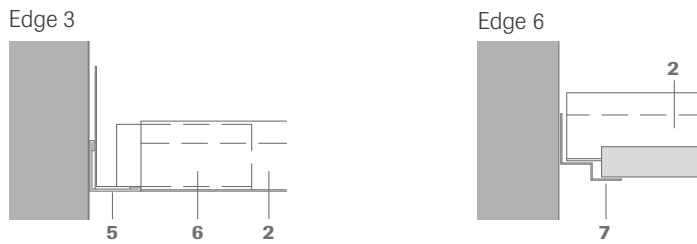
Metal suspensions

All metal components listed are galvanized steel or white coated galvanized steel respectively. For further details and colours please consult OWAlifetime collection price list.

Suspension depth

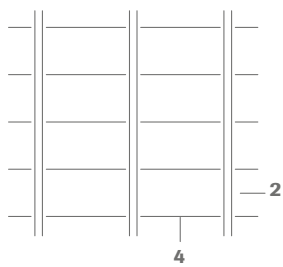
100 mm (depending on the existing structural ceiling) for ease of panel removal 130 mm is recommended. If the suspension depth is less than 150 mm the Nonius hanger no. 79/... has to be shortened on site.

Wall perimeter:

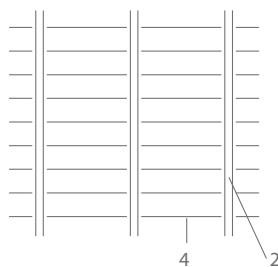


Other wall connection options and installation details can be found in OWA-Installation Guide no. 9801 e.

Installation examples:



Module \leq 1250 x 625 mm



Module \leq 2500 x 400 mm

Section span widths for cross tees no. 47/4S (with double-sided nose)

Material thickness 0.4 mm

Cross tee module size	Span widths	
< 312.5 mm	2000 mm	Span widths for OWAcoustic premium tile 15 mm
< 400 mm	1900 mm	Span widths for OWAcoustic premium tile 15 mm
< 625 mm	1700 mm	Span widths for OWAcoustic premium tile 15 mm
< 312.5 mm	1900 mm	Span widths for OWAcoustic premium tile 20 mm
< 400 mm	1800 mm	Span widths for OWAcoustic premium tile 20 mm
< 625 mm	1600 mm	Span widths for OWAcoustic premium tile 20 mm

Calculation note:

The precise panel sizes **between bandraster sections** are calculated as follows:

- Edge 3: clear dimension between the sections + 20 mm
- Edge 6: clear dimension between the sections + 18 mm

The precise panel dimension **between cross tees** is calculated as follows:

Spacing of the cross tees – 6 mm (in the case of edge 6 and edge 3 identical).

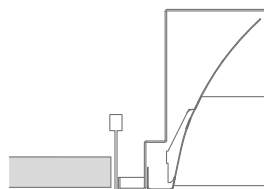
The precise length and order dimensions of the cross tees **Nr. 47/4S** is calculated:

Clear dimension between the bandraster sections + 24 mm.

Light fixtures:

OWA can supply compatible light fixtures for this system.

For details of performance, installation and fire resistance please see OWA-brochure no. 9630 e and OWA-Installation Guide no. 9801 e.



Material requirements for bandraaster profiles per m², visible side 100 mm (approximations):

No.	Description	Bandraaster module size						
		1200 mm	1250 mm	1500 mm	1800 mm	2000 mm	1276 mm*	1326 mm*
80/100	Bandraaster profile, slit	0.83 m	0.8 m	0.7 m	0.6 m	0.5 m	0.8 m	0.75 m
79/100	Nonius hanger	0.7 pce	0.7 pce	0.7 pce	0.7 pce	0.7 pce	0.7 pce	0.7 pce
16/...	Nonius hanger extension	0.7 pce	0.7 pce	0.7 pce	0.7 pce	0.7 pce	0.7 pce	0.7 pce
76	Safety pin	0.7 pce	0.7 pce	0.7 pce	0.7 pce	0.7 pce	0.7 pce	0.7 pce
82/100G	Connector	0.3 pce	0.3 pce	0.2 pce	0.2 pce	0.2 pce	0.2 pce	0.2 pce
51/25, 50/15G	Wall angle	quantity according to need, depending on room size and shape						
75/100G	Wall anchor	quantity according to need, depending on room size and shape						
42/24	Contura block	quantity according to need, depending on room size and shape						
42/100	Contura block	quantity according to need, depending on room size and shape						

* when using cross tee no. 47WST, stock item

No.	Description	Cross tee module size				
		300 mm	312.5 mm	400 mm	600 mm	625 mm
47/4S	Cross tee, 24 mm wide	3.3 m	3.2 m	2.5 m	1.7 m	1.6 m

Weights:

Description	Weight
Cross tee no. 47/4S	0.363 kg/m
Bandraaster profile no. 80/100	1.034 kg/m
Tiles 15 mm, A2-s1,d0	4.5 kg/m ²
Tiles 20 mm, A2-s1,d0	6.0 kg/m ²

System description:

OWAconstruct® bandraaster system S 18d (Bandura)

Quality statement:

OWAacoustic mineral panels are free from harmful materials such as asbestos and formaldehyde. A statement from the German institute for Building Technology is available. The mineral wool used in these panels is biodegradable. The criterions of the zero-ranking as a carcinogenic material in the chemical prohibition ordinance (§ 1 appendix) section 23 bio-persistent fibres are complied with and therefore carries the "RAL-Seal of mineral wool" guarantees.

Mineral tiles according to EN 13964 and DIN 18177:

Air Permeability	Class PM 1
Formaldehyde	FH Class 1
TVOC	Class 1

Installation should be carried out in accordance with the information contained in system leaflet S 18d and OWA-Installation Guide no. 9801 e. All components are CE labelled.

Component list:

OWAconstruct Nonius hanger no. 79/100 or no. 79/125
 OWAconstruct Bandraaster profile no. 80/100 or no. 80/125 (module size max. 2500 mm)
 OWAconstruct connector no. 82/100G or no. 82/125G
 OWAconstruct cross tee no. 47/4S (module size max. 625 mm, span widths max. 1250 - 2000 mm, depending on tile width. Suspend larger span widths additionally.)
 OWAconstruct cross tee no. 47WST (length 1200 mm, 1250 mm)
 OWAconstruct wall angle no. 51/25 or no. 50/15G
 OWAconstruct wall anchor no. 75/100G or no. 75/125G
 OWAconstruct Contura block no. 42/24, no. 42/100 or no. 42/125

Product Warranties

The information provided in this leaflet is based on the standards and data available at the time of publication. Any performance, warranties or guarantees provided, expressed or implied, are subject to the exclusive use of OWA components and the installation of those components in accordance with our recommendations. Failure to adhere to these conditions will result in the invalidation of any performance claims, warranties or guarantees and rejection of any liability. OWA reserves the right to make any technical improvements to the products, systems or services without prior notice. **All goods and services are supplied in accordance with our current Terms and Conditions of Sale.** Errors excepted!



Odenwald Faserplattenwerk GmbH

Dr.-F.-A.-Freundt-Straße 3 | 63916 Amorbach | Germany
 tel +49 93 73.2 01-0 | info@owa.de
 www.owa-ceilings.com