



FINE FISSURED

The non-directional FINE FISSURED surface provides a cost effective solution for providing Class C sound absorption.

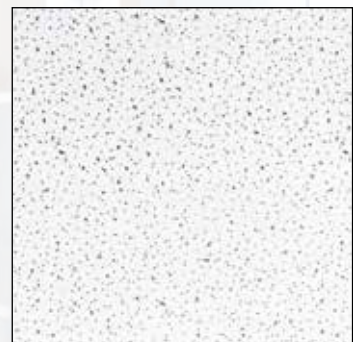
Key features

- Good sound absorption: 0.60 (H) α_w

Application areas

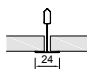
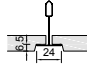
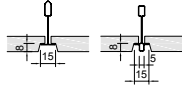


Ideal for circulation areas, meeting rooms etc.

OFFICE
FINE FISSURED Tegular



Inspiring Great Spaces®

Armstrong[®]
CEILING SOLUTIONS

EDGE DETAIL	BOARD	TEGULAR	MICROLOOK
			
THICKNESS (mm)	15 / 19	15	15
MODULES (mm)	600 x 600 x 15 9121M 625 x 625 x 15 9121D 1200 x 600 x 15 9120M 600 x 600 x 19 5161M	600 x 600 x 15 9122M 600 x 600 x 19 5162M 625 x 625 x 15 9122D	600 x 600 9202M
SUSPENSION SYSTEMS	Prelude 24 XL ² / TL ² Prelude 24 Sixty ² XL ² / TL ²	Prelude 24 XL ² / TL ² Prelude 24 Sixty ² XL ² / TL ²	Prelude 15 TL / XL ² Interlude HRC XL ²
COLOURS	COLORTONE FINE FISSURED		
	 Global White	 Black (BK) ¹	

¹ Only available for 9121M (Board square tile).

SUSTAINABILITY



39-51



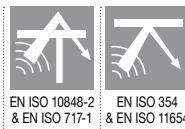
A+ / A²



E1

² Depends on thickness, edge detail and size of tile.

ACOUSTICS



EN ISO 10848-2 & EN ISO 717-1
EN ISO 354 & EN ISO 11654

	D _{ntw}	α _w	Class	NRC	Hz α _p					
					125	250	500	1000	2000	4000
• Board, Tegular, MicroLook (15 mm)	34 dB	0.60(H)	C	0.60	0.40	0.40	0.55	0.75	0.75	0.75
• Board, Tegular (19 mm)	-	0.70	C	0.70	0.35	0.45	0.70	0.75	0.85	0.80

FIRE REACTION



EEA Euroclass A2-s1, d0
EN 13501-1

RUS KM1 (G1, V1, D1, T1)
FZ 123

OTHER PERFORMANCES & FEATURES



85%



95% RH



30YEAR
system
guarantee

BIM
READY



λ = 0.060 W/m K



≈ 3.4 kg/m²

EN 12667
& ISO 8301

CUSTOM OPTIONS



Dimensions