



Distinction in design

Oriental

Oriental provides a bold, geometric, interlocking design that encompasses the practical, square ceiling grid within its own identity and enables the installation of modular service elements such as Flexo LED lights where required. Oriental's striking appearance can be illuminated even more with the inclusion of OWAights, the integrated Linear LED's that disappear or appear at the flick of a switch.

Oriental



600 x 600 mm

Oriental – mineral tiles

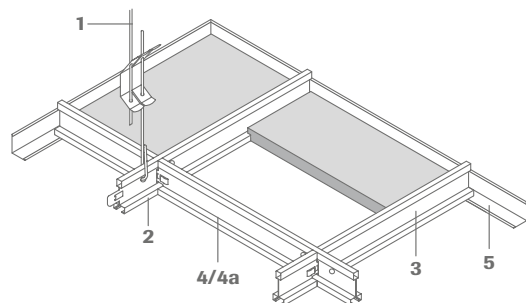
All edges 15b

Length	Width	Thickness	Part no.	Units/pack	α_{w} /NRC	Del. Cat.
600 mm	600 mm	15 mm	00068148	10	0.85	D



S 15b OWAline – suspension system

	Product no.	Product/component description	Units/pack
1	12/30/2	Adjustable hanger with double tension springs diameter: 4 mm, maximum load: 0.25 KN max. range of extension: 270 mm, a wire overhang of at least 15 mm must be provided	100 pieces
2	3500	Main tee height: 38 mm, width: 14.3 mm, length: 3000 mm, cross tee slots at 600 mm centres exterior: white, recess: white	20 pieces
2	3501	Main tee height: 38 mm, width: 14.3 mm, length: 3600 mm, cross tee slots at 1200 mm centres exterior: white, recess: white	20 pieces
3	3512	Cross tee height: 38 mm, width: 14.3 mm, length: 600 mm exterior: white, recess: white	60 pieces
4	3514	Cross tee height: 38 mm, width: 14.3 mm, length: 1200 mm exterior: white, recess: white, with central cross tee slot	60 pieces
4a	3524	Cross tee height: 38 mm, width: 14.3 mm, length: 1200 mm exterior: white, recess: white, without central cross tee slot	60 pieces
5	51/32G	Wall angle height: 32 mm, width: 19 mm, length: 3000 mm, visible side: white	30 pieces
5	1456	Wall angle height: 32 mm, width: 15 mm, length: 3000 mm, upstand: 7.5 mm, visible side: white	10 pieces



Can be combined with OWAlight, page 21.