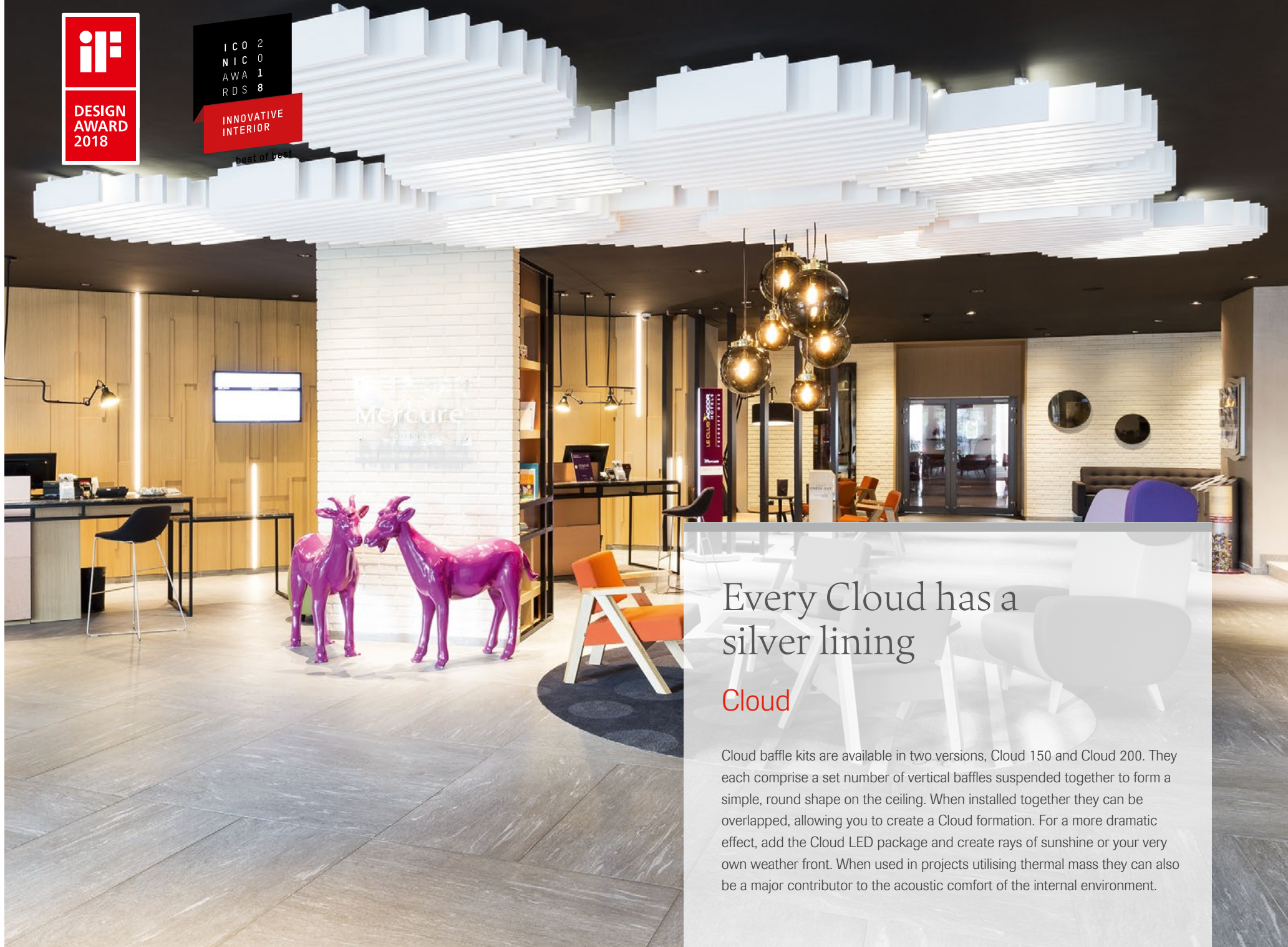




IC 0 2  
N I C 0  
A W A 1  
R D S 8

INNOVATIVE  
INTERIOR

best of best



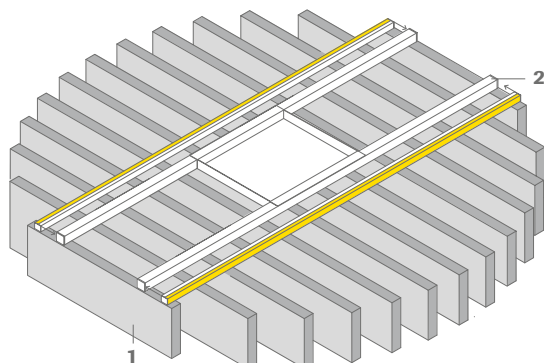
## Every Cloud has a silver lining

### Cloud

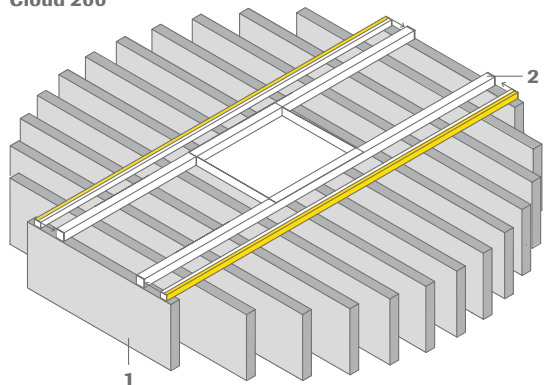
Cloud baffle kits are available in two versions, Cloud 150 and Cloud 200. They each comprise a set number of vertical baffles suspended together to form a simple, round shape on the ceiling. When installed together they can be overlapped, allowing you to create a Cloud formation. For a more dramatic effect, add the Cloud LED package and create rays of sunshine or your very own weather front. When used in projects utilising thermal mass they can also be a major contributor to the acoustic comfort of the internal environment.

# Cloud

## Cloud 150



## Cloud 200



### 1 Cloud 150 – baffle tile package

All edges **3**

Length	Height	Thickness	Units/pack	$\alpha_w$ /NRC	Part no.	Del. Cat.
1295 mm	150 mm	30 mm	1	0.65	00069107	D
1280 mm	150 mm	30 mm	2			
1230 mm	150 mm	30 mm	2			
1150 mm	150 mm	30 mm	2			
1020 mm	150 mm	30 mm	2			
825 mm	150 mm	30 mm	2			
500 mm	150 mm	30 mm	2			

### 1 Cloud 200 – baffle tile package

All edges **3**

Length	Height	Thickness	Units/pack	$\alpha_w$ /NRC	Part no.	Del. Cat.
1295 mm	200 mm	30 mm	1	0.65	00069108	D
1280 mm	200 mm	30 mm	2			
1230 mm	200 mm	30 mm	2			
1150 mm	200 mm	30 mm	2			
1020 mm	200 mm	30 mm	2			
825 mm	200 mm	30 mm	2			
500 mm	200 mm	30 mm	2			

Total number of baffles per package: 13 pieces, Sinfonia tile surface

### 2 Cloud – construction package

Product/component description	Units/pack	Part no.	Del. Cat.
Square profile 25 x 25 x 2.0 mm, length: approx. 1220 mm, colour: white, fully assembled with connector bar	2 pieces	00079587	D
Connector bar 305 x 200 x 1.0 mm, white	1 piece		
Spacer sleeve M6 x 25 mm, white, for direct installation	4 pieces		
Fixing plug, Ø 11.6 mm, white, for square profile keyholes	26 pieces		
Threaded sleeve M6 x 30 mm, for suspended installation	4 pieces		
M6 x 15 mm, zinc galvanized, for suspended installation	4 pieces		

See brochure no. 1020 e Cloud and Square